

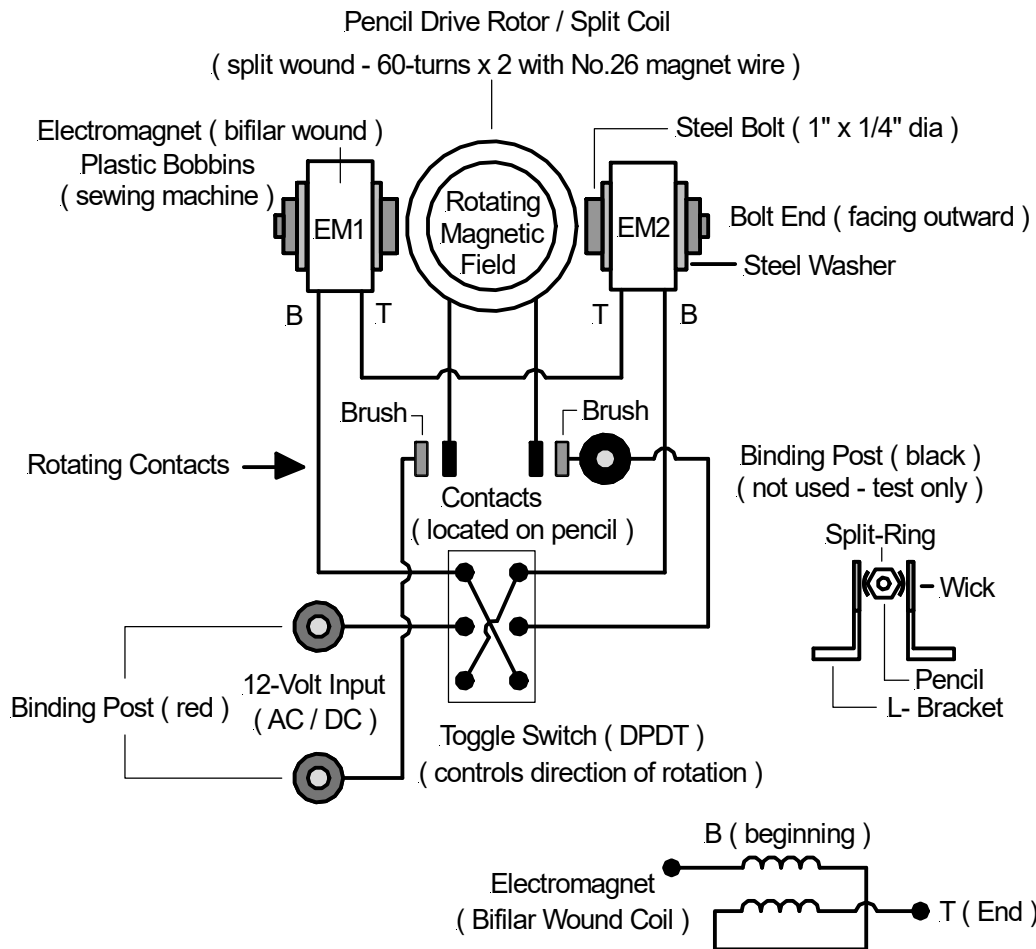
Lorrie's AC / DC Pencil Motor

(Wiring Layout)

Designed By: Lorrie Matchett

Date: Feb 15 / 2017

Pg.2 of 2



Note: The coils are actually wired in series as seen....

Note: Contacts are located on the wooden pencil (split-ring type)